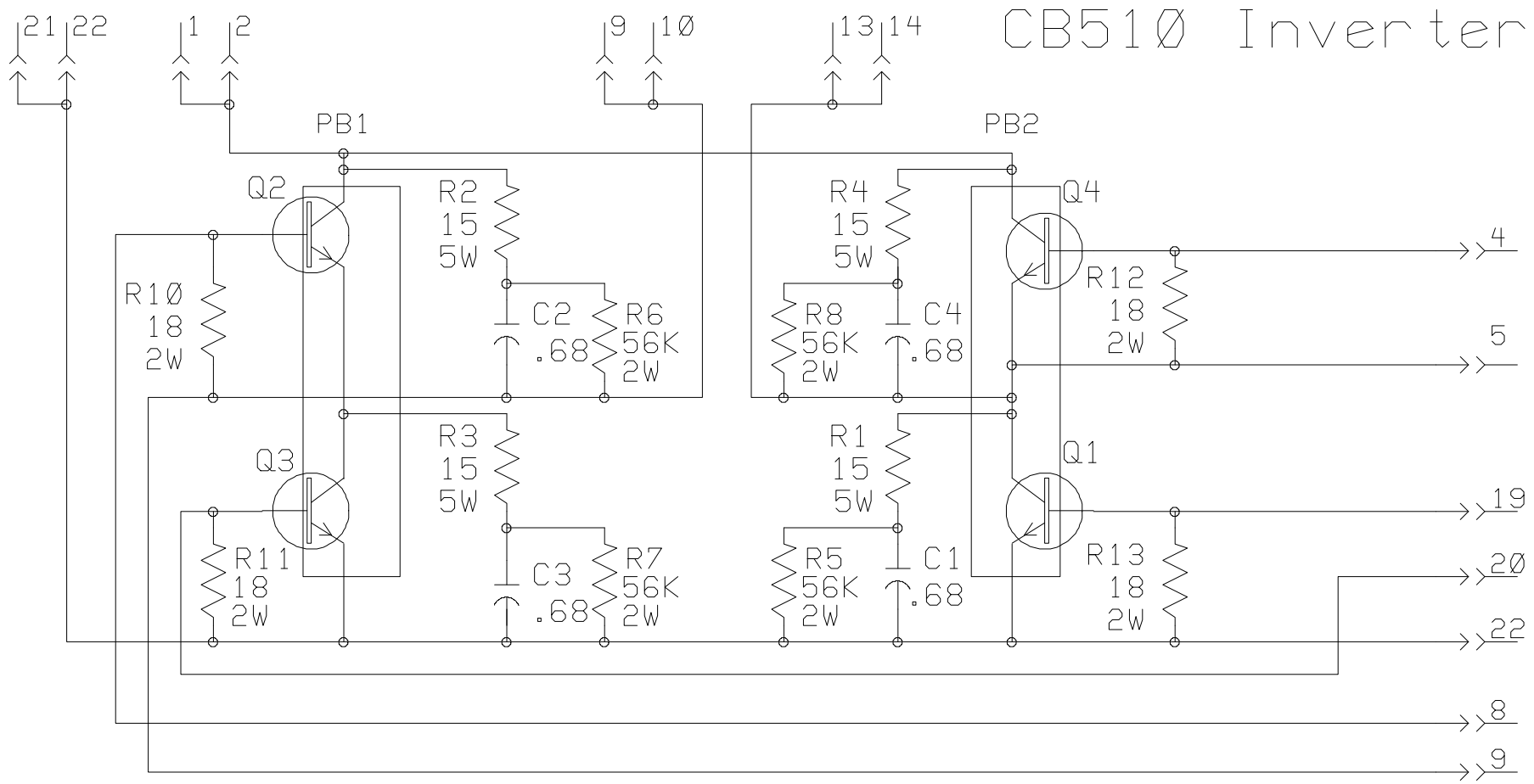
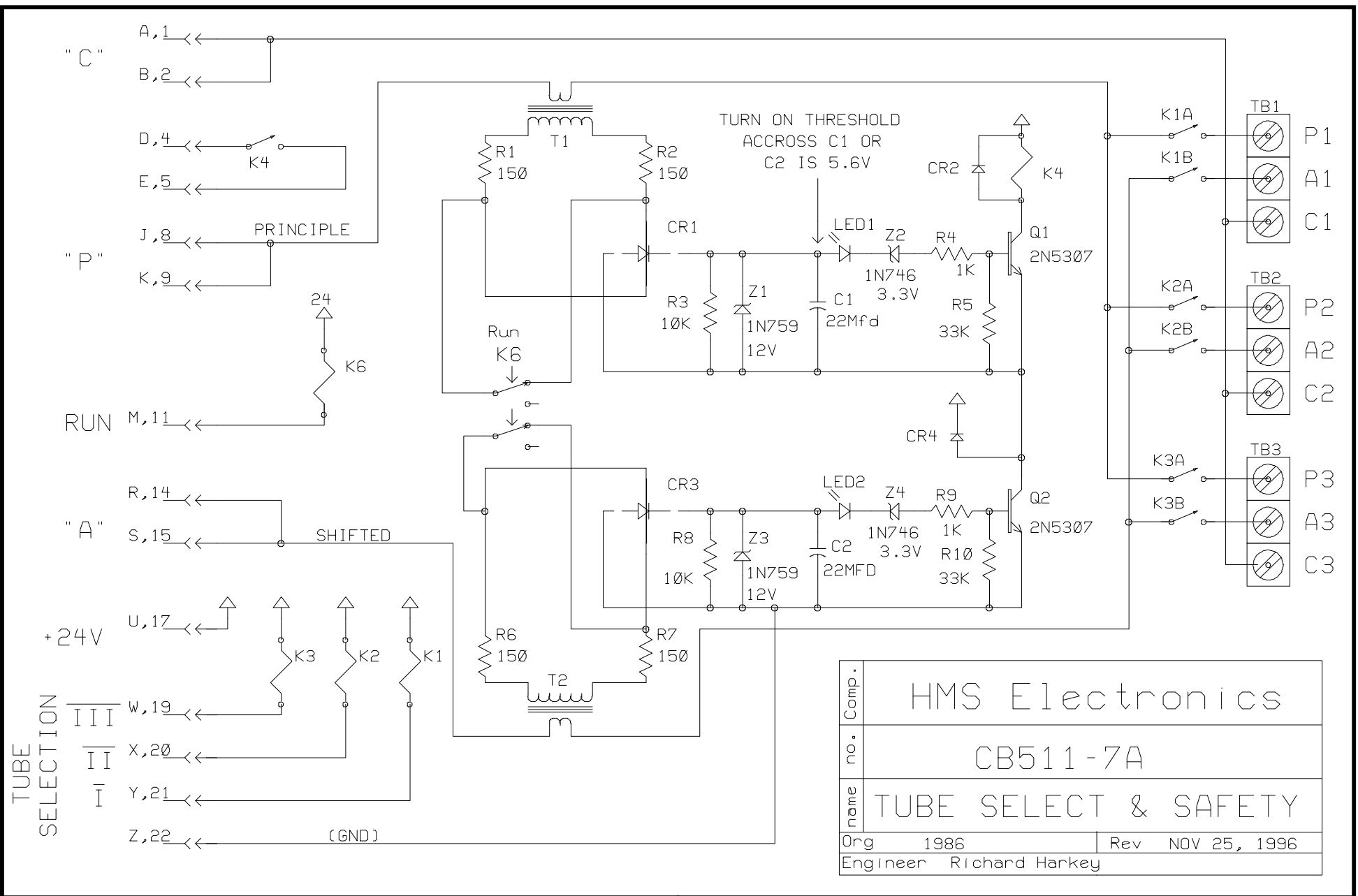


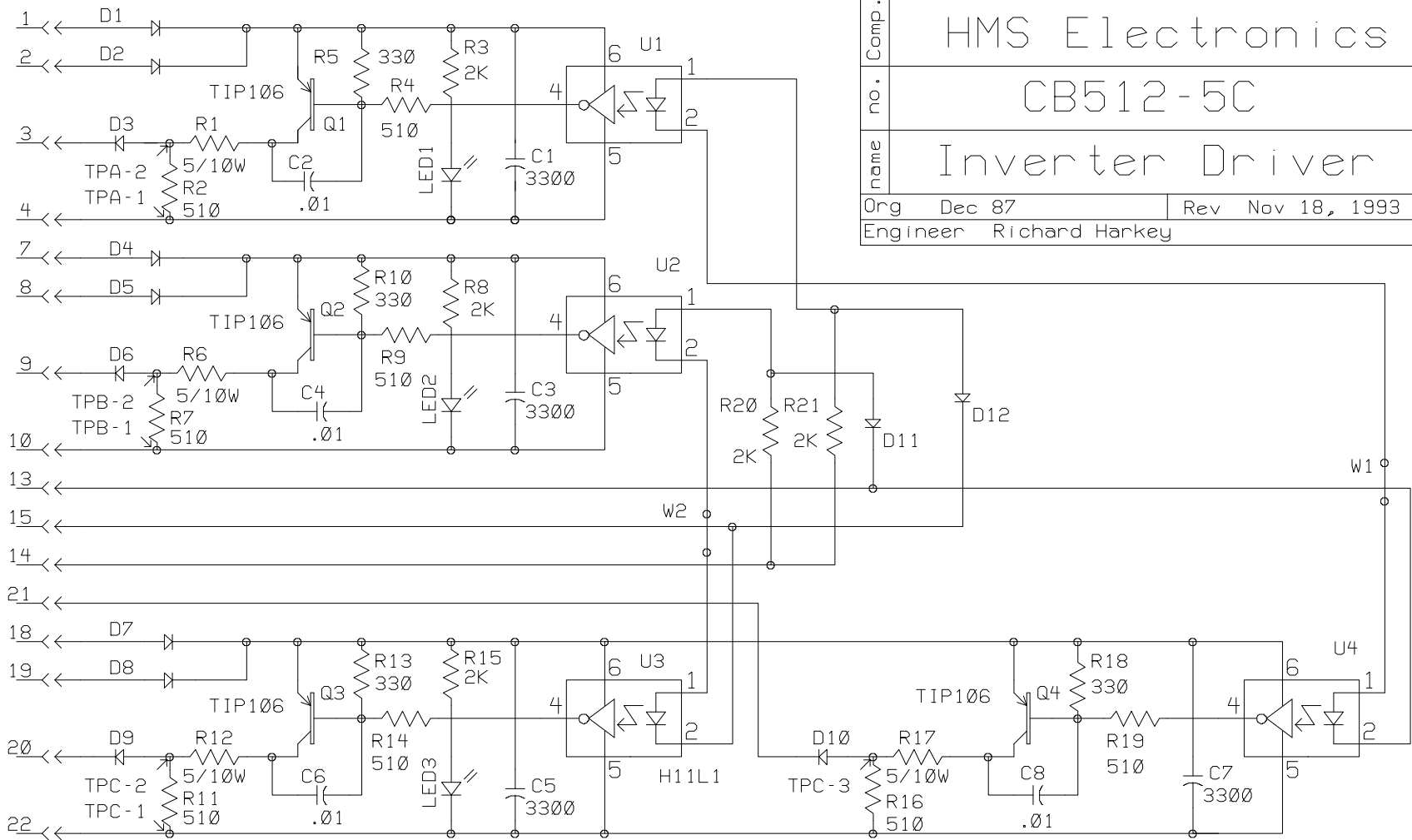
# CB510 Inverter



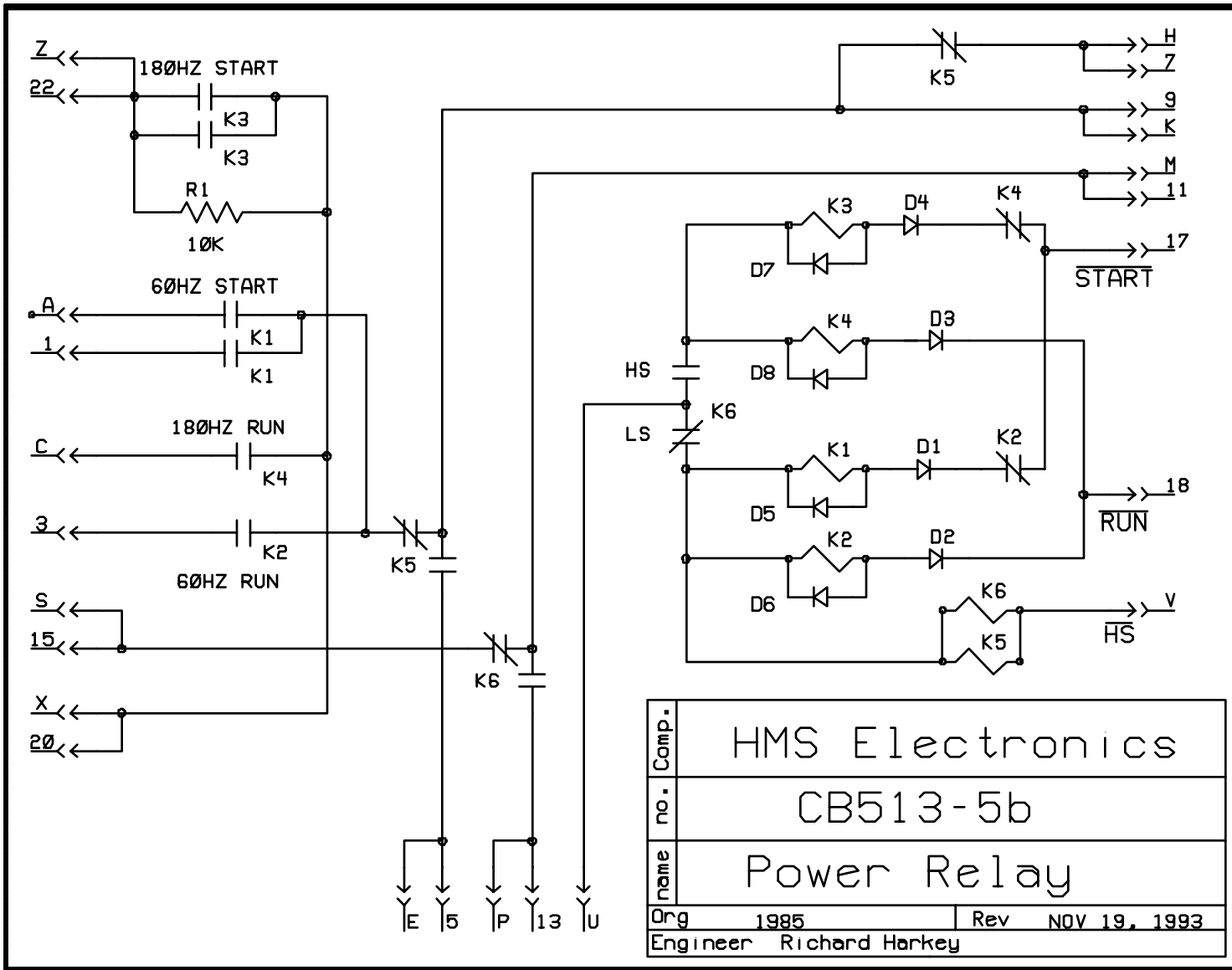
Comp.	HMS Electronics	
no.	CB-510-2	
name	Inverter	
Org	1985	Rev JAN 92
Engineer Richard Harkey		

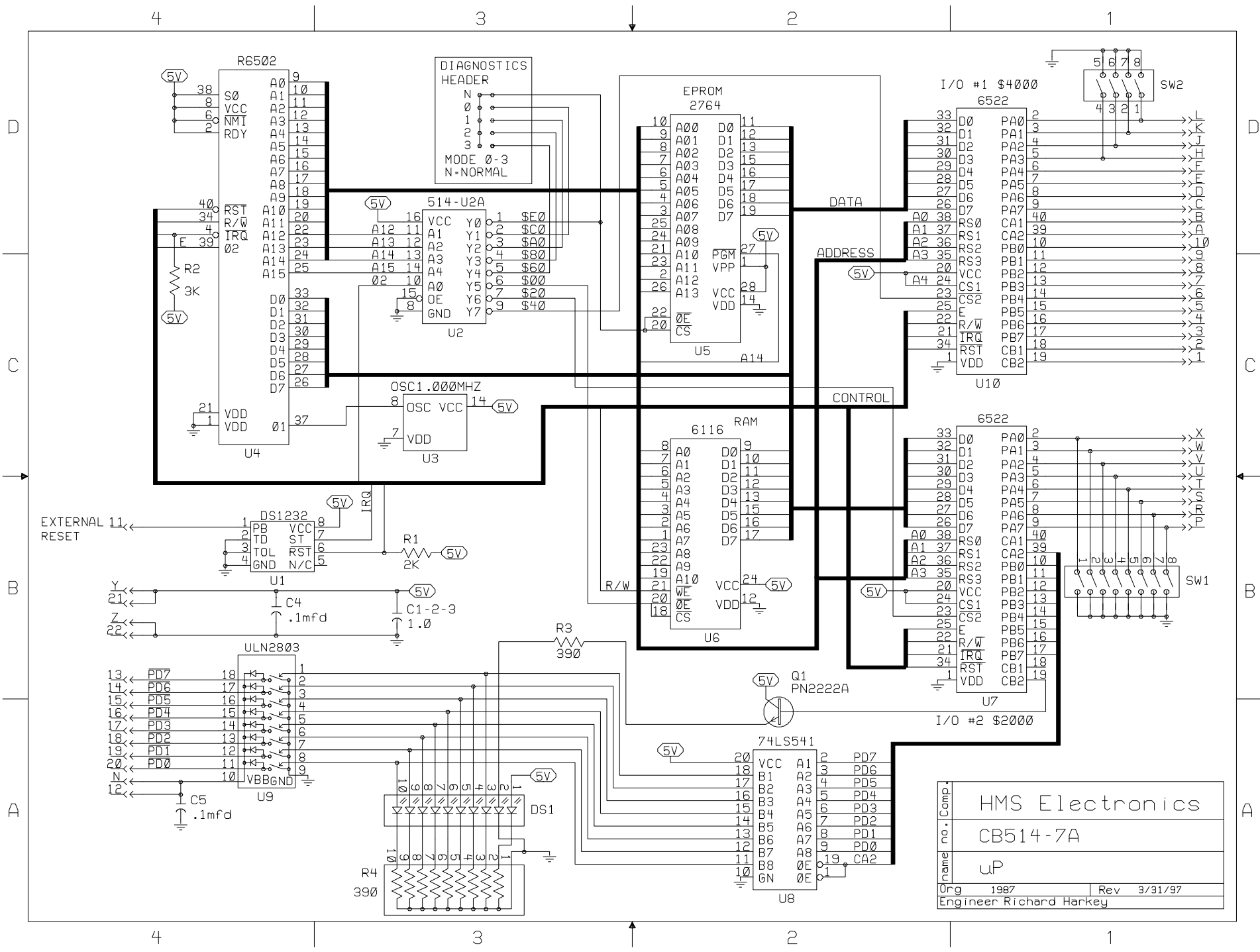


Comp.	HMS Electronics	
no.	CB511-7A	
name	TUBE SELECT & SAFETY	
Org	1986	Rev NOV 25, 1996
Engineer	Richard Harkey	



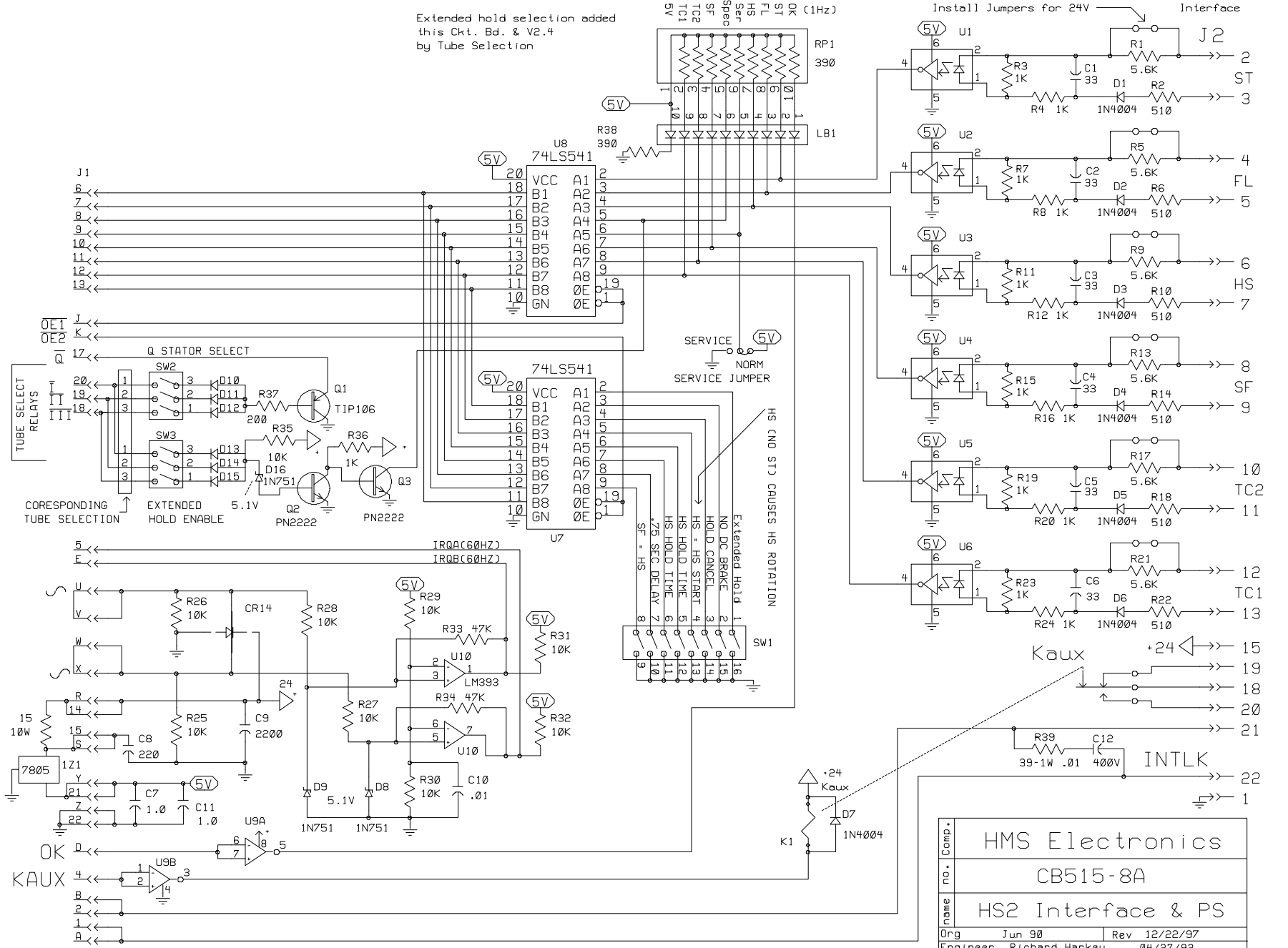
Comp.	HMS Electronics	
no.	CB512-5C	
name	Inverter Driver	
Org	Dec 87	Rev Nov 18, 1993
Engineer	Richard Harkey	





Comp.	HMS Electronics	
no.	CB514-7A	
name	uP	
Org	1987	Rev 3/31/97
Engineer	Richard Harkey	

Extended hold selection added  
this Ckt. Bd. & V2.4  
by Tube Selection



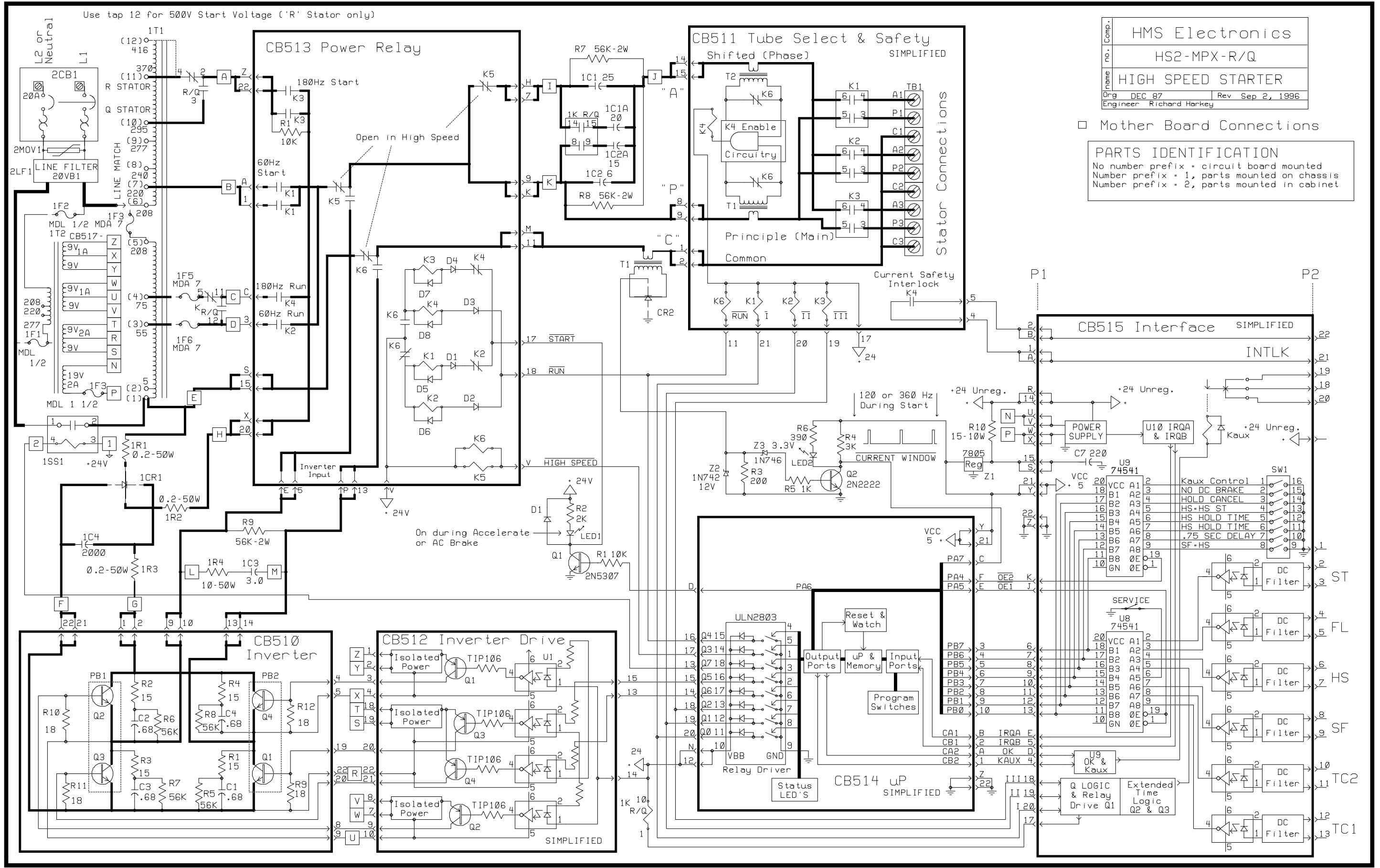
Comp.	HMS Electronics	
n.	CB515-8A	
name	HS2 Interface & PS	
Org	Jun 90	Rev 12/22/97
Engineer	Richard Harkey	04/27/93

Use tap 12 for 500V Start Voltage ('R' Stator only)

Comp. HMS Electronics  
 No. HS2-MPX-R/Q  
 Name HIGH SPEED STARTER  
 Org DEC 87 Rev Sep 2, 1996  
 Engineer Richard Harkey

□ Mother Board Connections

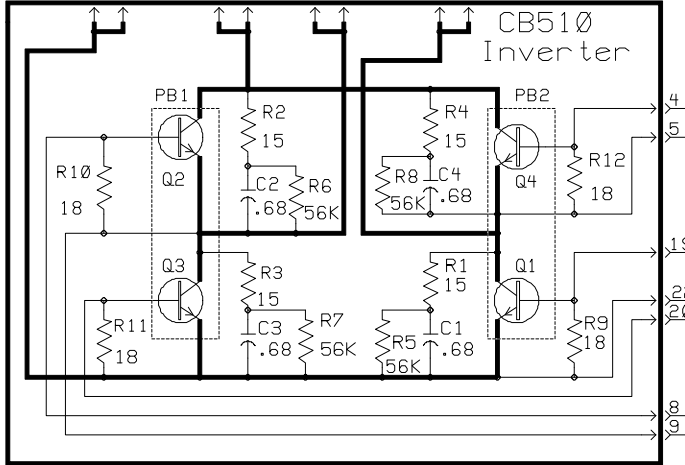
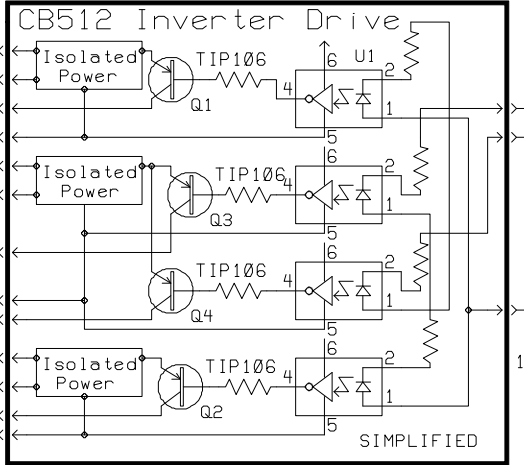
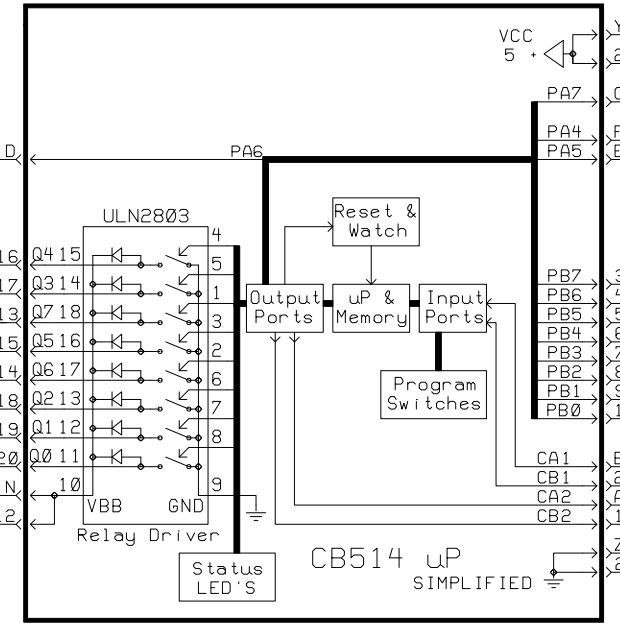
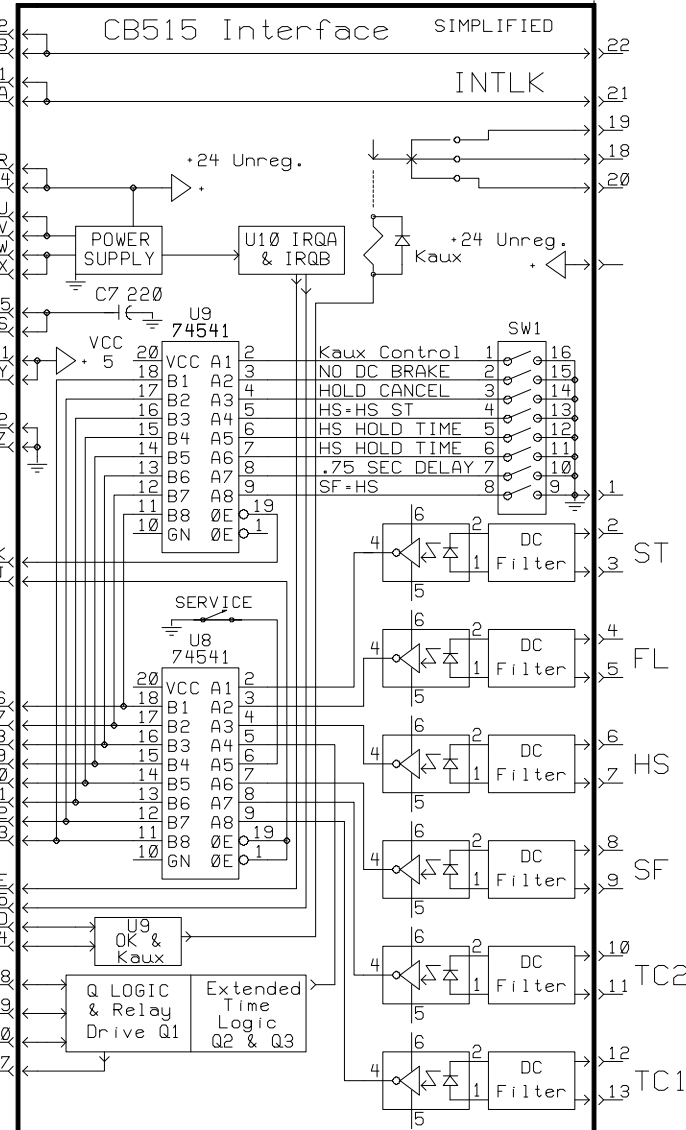
**PARTS IDENTIFICATION**  
 No number prefix - circuit board mounted  
 Number prefix - 1, parts mounted on chassis  
 Number prefix - 2, parts mounted in cabinet

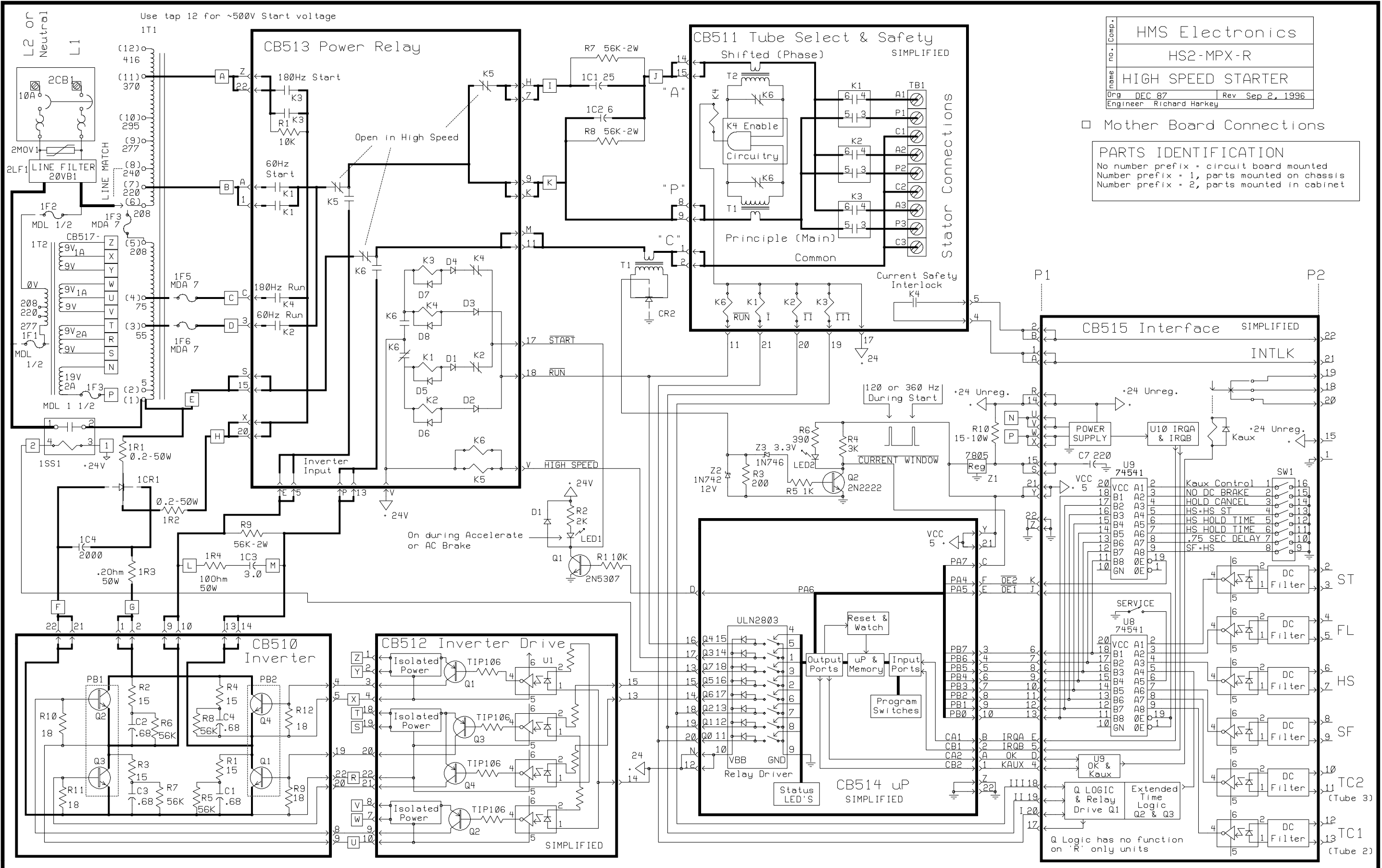


Stator Connections

P1

P2

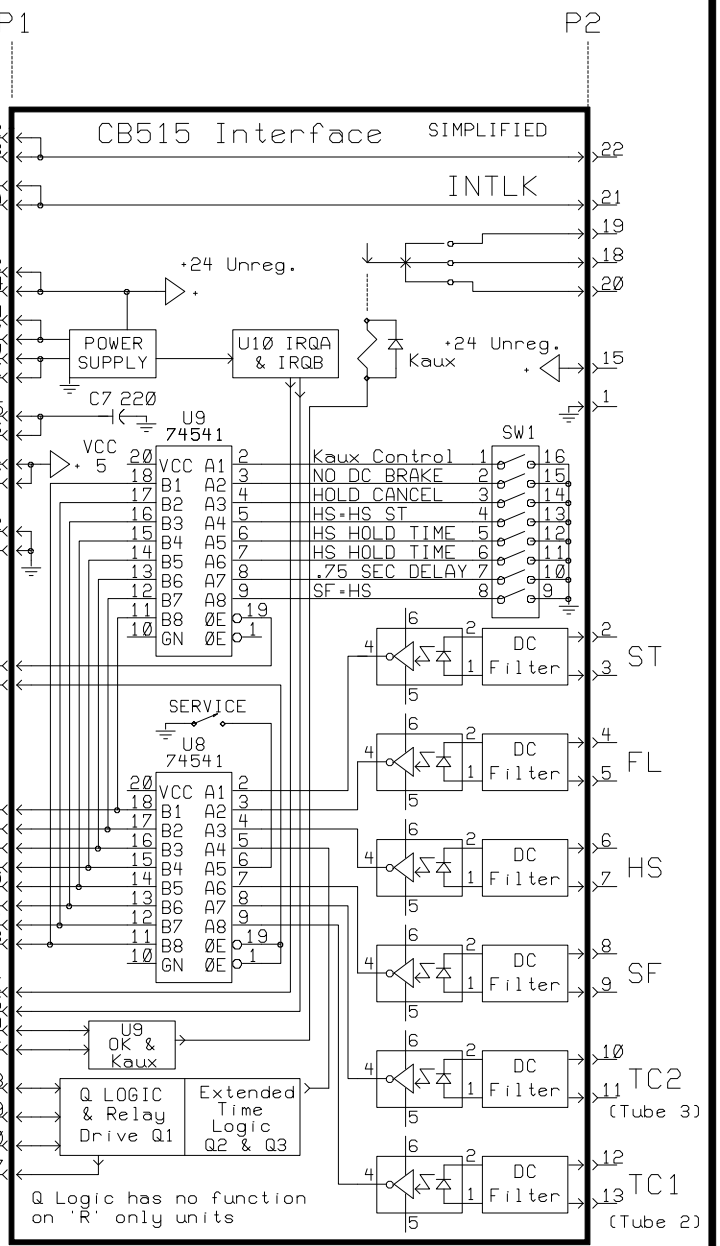




Comp.	HMS Electronics
no.	HS2-MPX-R
name	HIGH SPEED STARTER
Org	DEC 87
Engineer	Richard Harkey
Rev	Sep 2, 1996

□ Mother Board Connections

**PARTS IDENTIFICATION**  
 No number prefix = circuit board mounted  
 Number prefix = 1, parts mounted on chassis  
 Number prefix = 2, parts mounted in cabinet



Q Logic has no function on 'R' only units