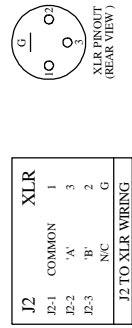
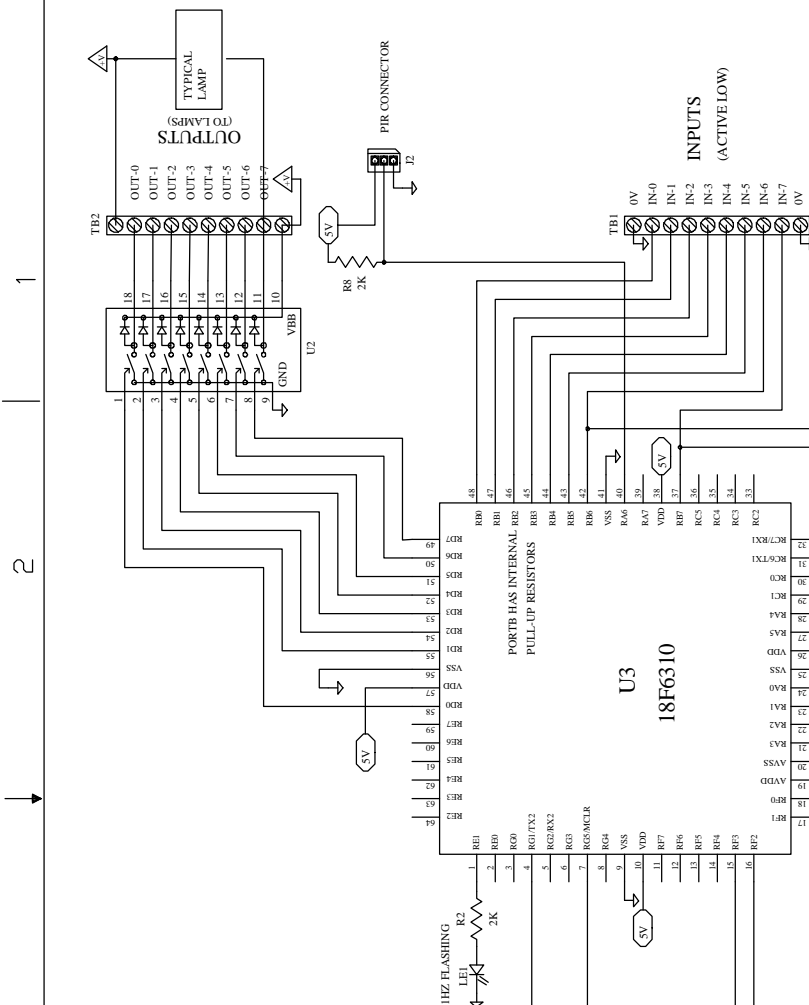
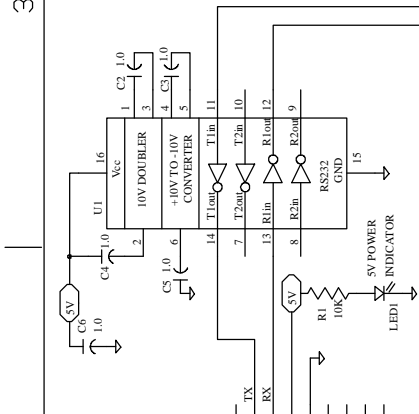
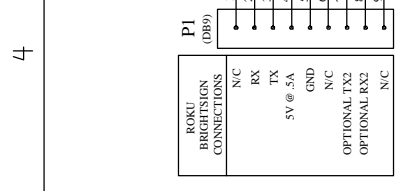
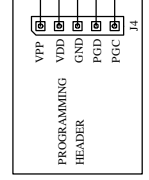
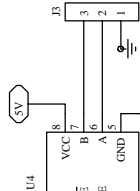


Comp	HMS ELECTRONICS
Part	ROKU_SER_DMX_S.DBF
Name	ROKU SERIAL INTERFACE BOARD 8 INPUTS & 8 OUTPUTS & DMX
Orig	09-14-09
Engineer	Richard Halsey
Rev	1.0
	HMS Electronics

OPTIONS: (JUMPER INSERTED)



J2 TO XLR WIRING
1 COMMON
2 'A'
3 'A'
4 'B'
5 'B'
6 NC
7 NC
8 G



1 2 3 4

D C B A