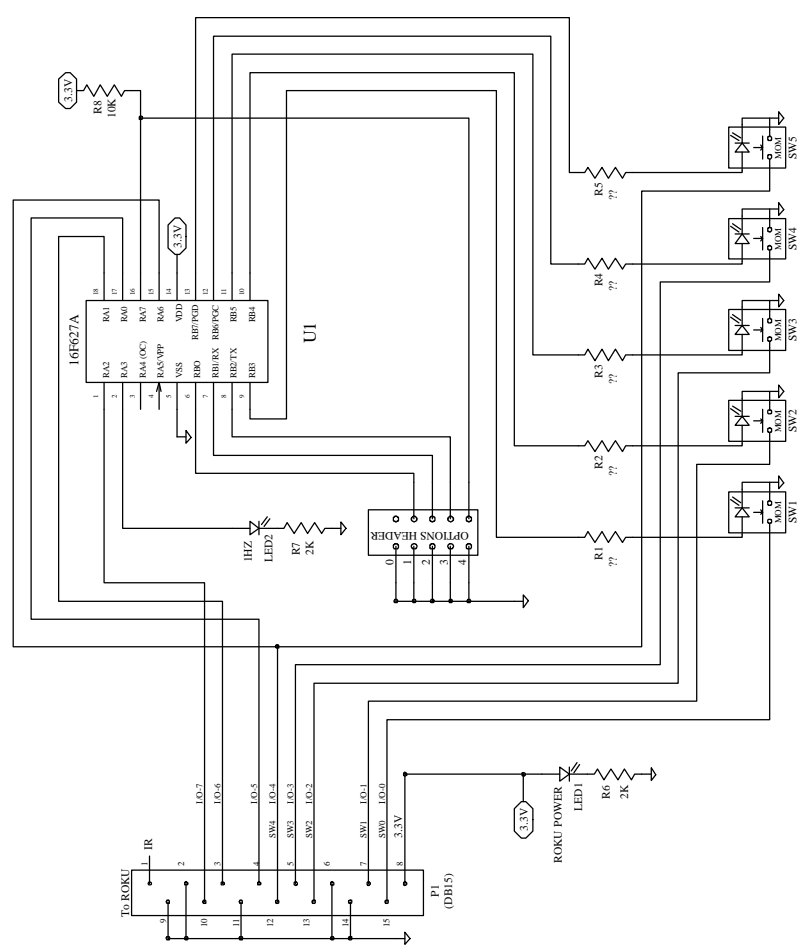


1 2 3 4

- OPTIONS SELECT (JUMPER INSERTED)**
- LAMP CYCLE LOOP IF ALL LAMP INPUTS=0
 - 25% BRIGHTNESS IF I/O 4,5,6,7=0
SELECTED LIGHTS = 100% BRIGHTNESS
 - NOT BINARY CODED OUTPUT (I TO I)
 - LAMP DIAGNOSTIC (ALL LAMP INPUTS IGNORED)



BINARY CODED OUTPUT TABLE (1 OF 5)

ROKU OUTPUTS		LAMP OUTPUTS					
I/O-6	I/O-5	I/O-4	OUT-0	OUT-1	OUT-2	OUT-3	OUT-4
0	0	0	0	0	0	0	0
0	0	1	1	0	0	0	0
0	1	0	1	0	0	0	0
0	1	1	0	0	1	0	0
1	0	0	0	0	1	0	0
1	0	1	0	0	0	0	1
1	1	0	0	0	0	0	0
1	1	1	1	1	1	1	1

RESISTOR VALUES
 RED LED'S 47 OHMS
 YELLOW LED'S 22 OHMS
 GREEN LED'S 22 OHMS

HMS ELECTRONICS	
ROKU_HD_5BUTTON_S_DBF	
ROKU HD 5 BUTTON BOARD	
Part	00
Eng	04-02-09
Engineer	Richard Henkeley
Rev	1.0
HMS Electronics	

1 2 3 4