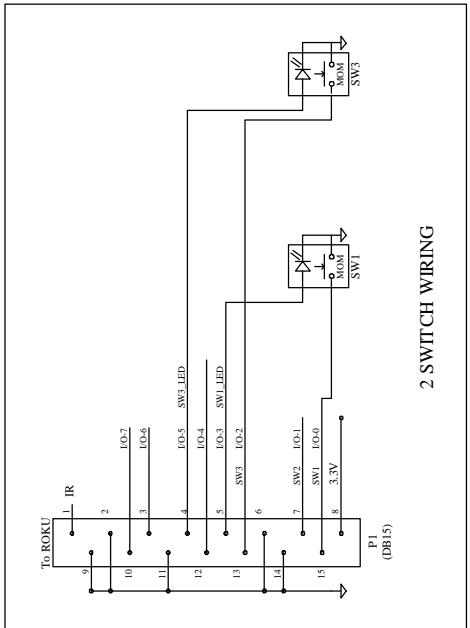
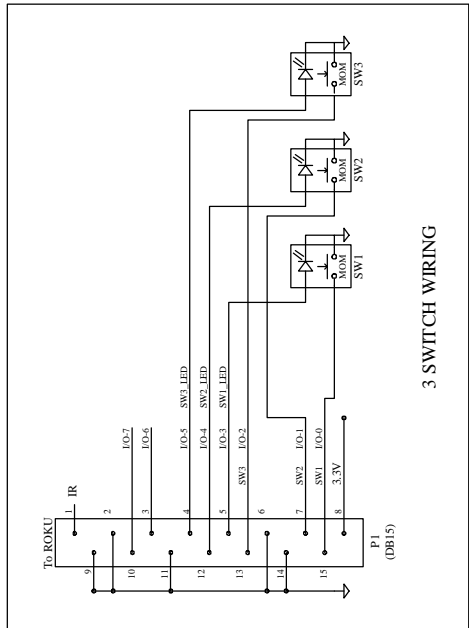
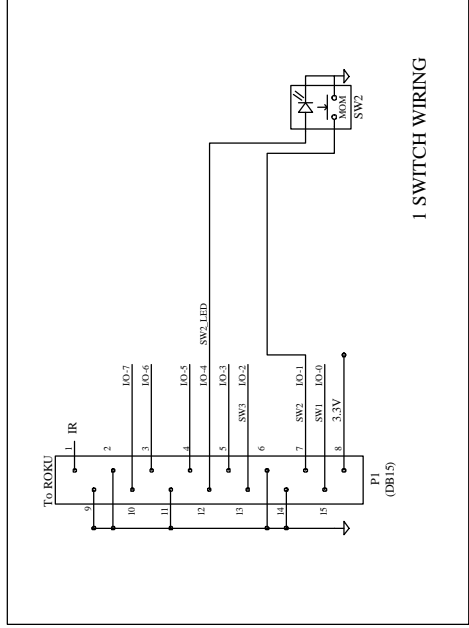


1 2 3 4



D C B A

Comp	HMS ELECTRONICS
no.	ROKU_HD_3BUTTON_S.DBF
name	ROKU HD 3 BUTTON BOARD
Org	04-02-99
Engineer	Richard Harkey
Rev	1.0
	HMS Electronics

1 2 3 4