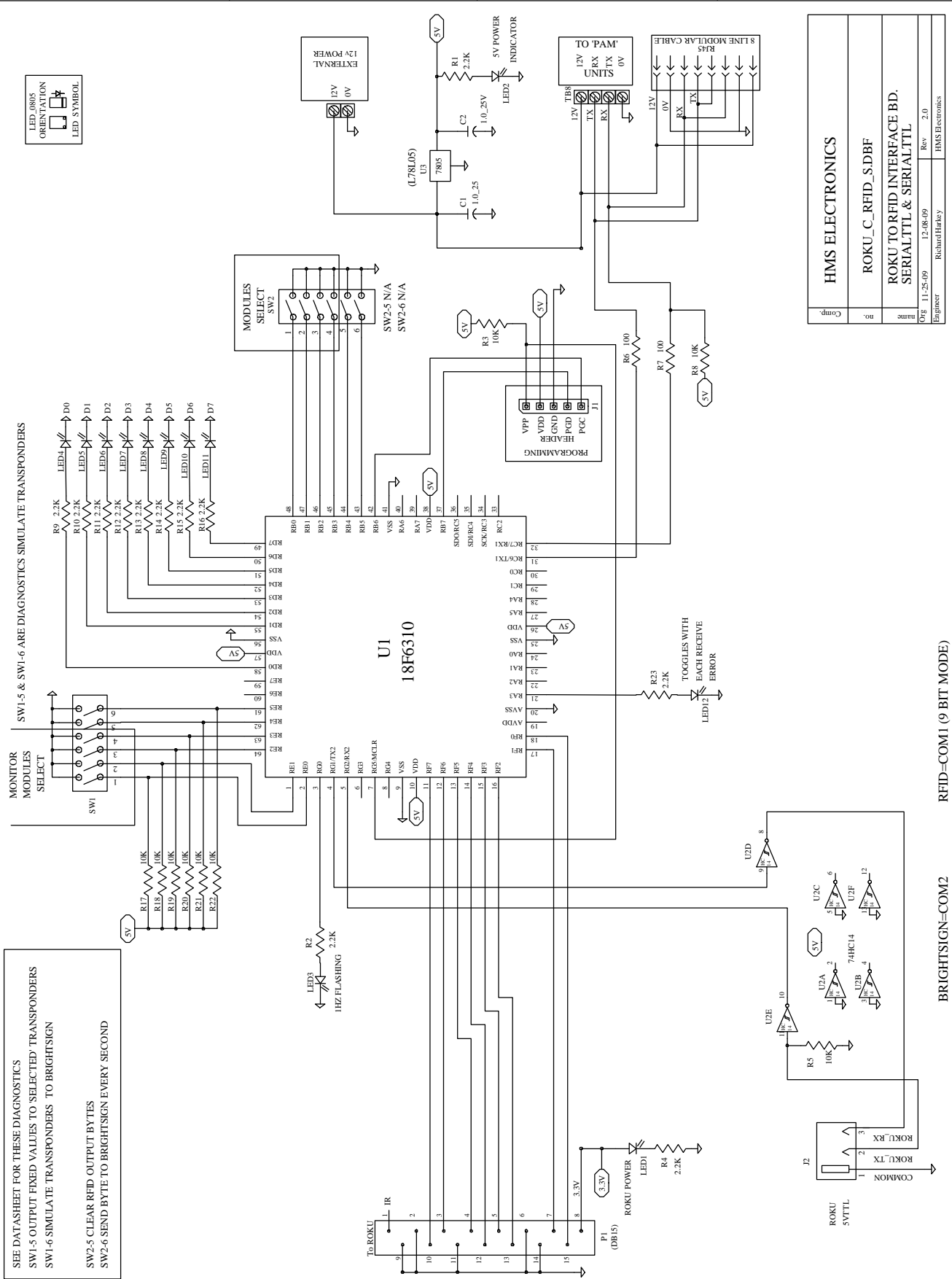


SEE DATASHEET FOR THESE DIAGNOSTICS
 SW1-5 OUTPUT FIXED VALUES TO SELECTED TRANSpondERS
 SW1-6 SIMULATE TRANSpondERS TO BRIGHTSIGN
 SW2-5 CLEAR RFD OUTPUT BYTES
 SW2-6 SEND BYTE TO BRIGHTSIGN EVERY SECOND



LED ORMS
 ORIENTATION
 LED SYMBOL

Comp.	HMS ELECTRONICS
no.	ROKU_C_RFID_S_DBF
name	ROKU TO RFID INTERFACE BD. SERIAL TTL & SERIAL TTL
date	12-08-09
Rev	2.0
Engineer	Richard Hanley
	HMS Electronics