

4

3

2

1

D

D

C

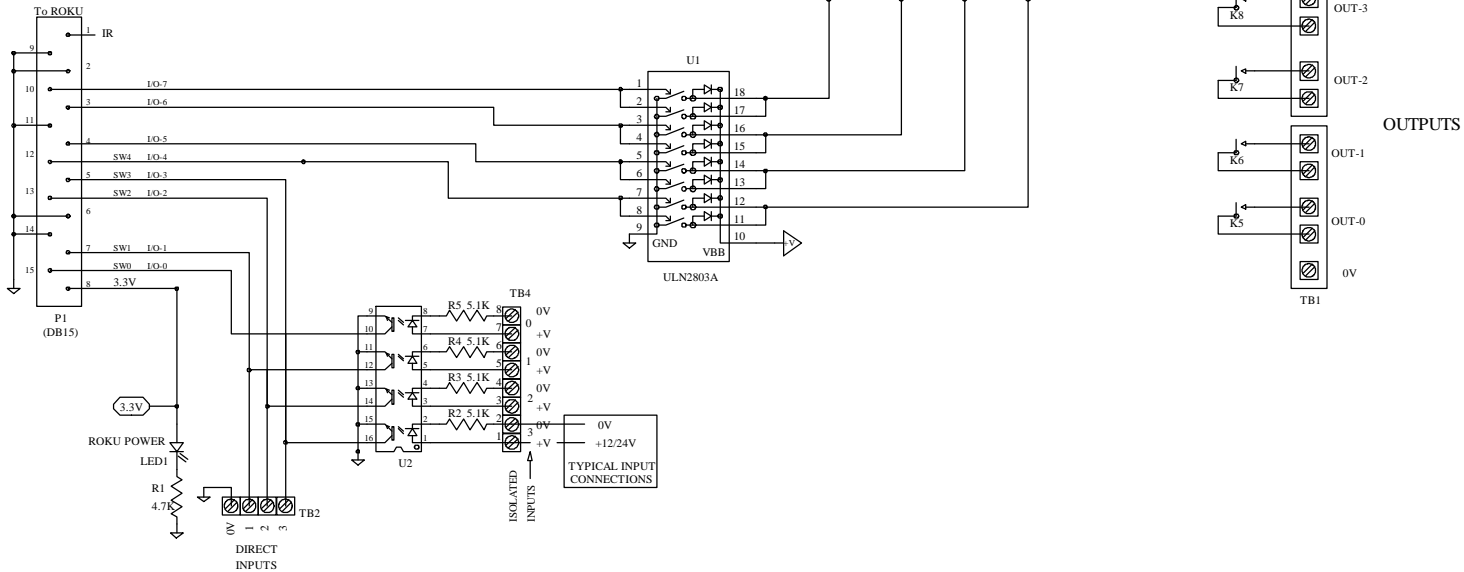
C

B

B

A

A



NOTE: OPTO-COUPLER IS OPEN COLLECTOR (NORMALLY OPEN SWITCH)  
 THE OPTO-COUPLERS CAN BE PARALLELED WITH SWITCHES SO THAT DIRECT INPUTS  
 CAN BE DONE WITHOUT DISCONNECTING THE OPTO-COUPLER

Comp.	HMS ELECTRONICS	
no.	HD_4OPTO_4R_S.DBF	
name	ROKU HD INTERFACE BOARD 4 ISOLATED INPUTS AND OUTPUTS	
Org	10-31-11	Rev 1.0
Engineer	Richard Harkey	HMS Electronics

4

3

2

1