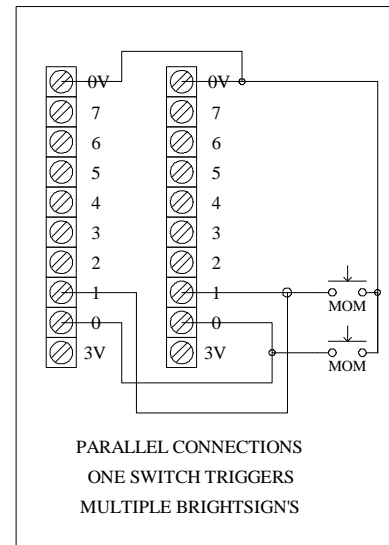
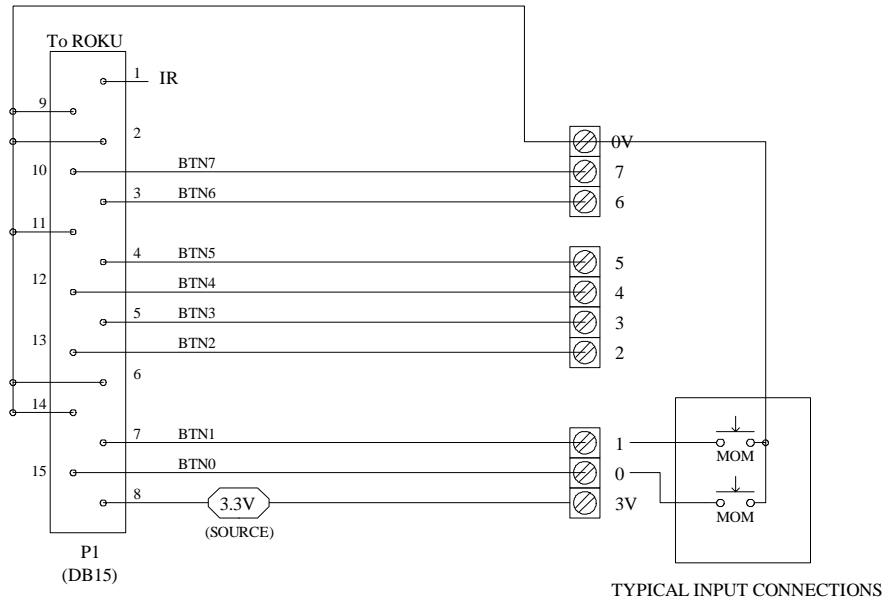


NOTE: ALL BRIGHTSIGN 'BTN'S ARE NORMALLY HIGH (3.3V)

PULL THEM LOW WITH A SWITCH TO 0V



Comp.	HMS ELECTRONICS		
no.	DB15_TB10_S.DBF		
name	DB15 (Male) to Terminal Block Adapter		
Org	09-25-09	05-03-2011	Rev 1.1
Engineer	Richard Harkey		HMS Electronics