

4

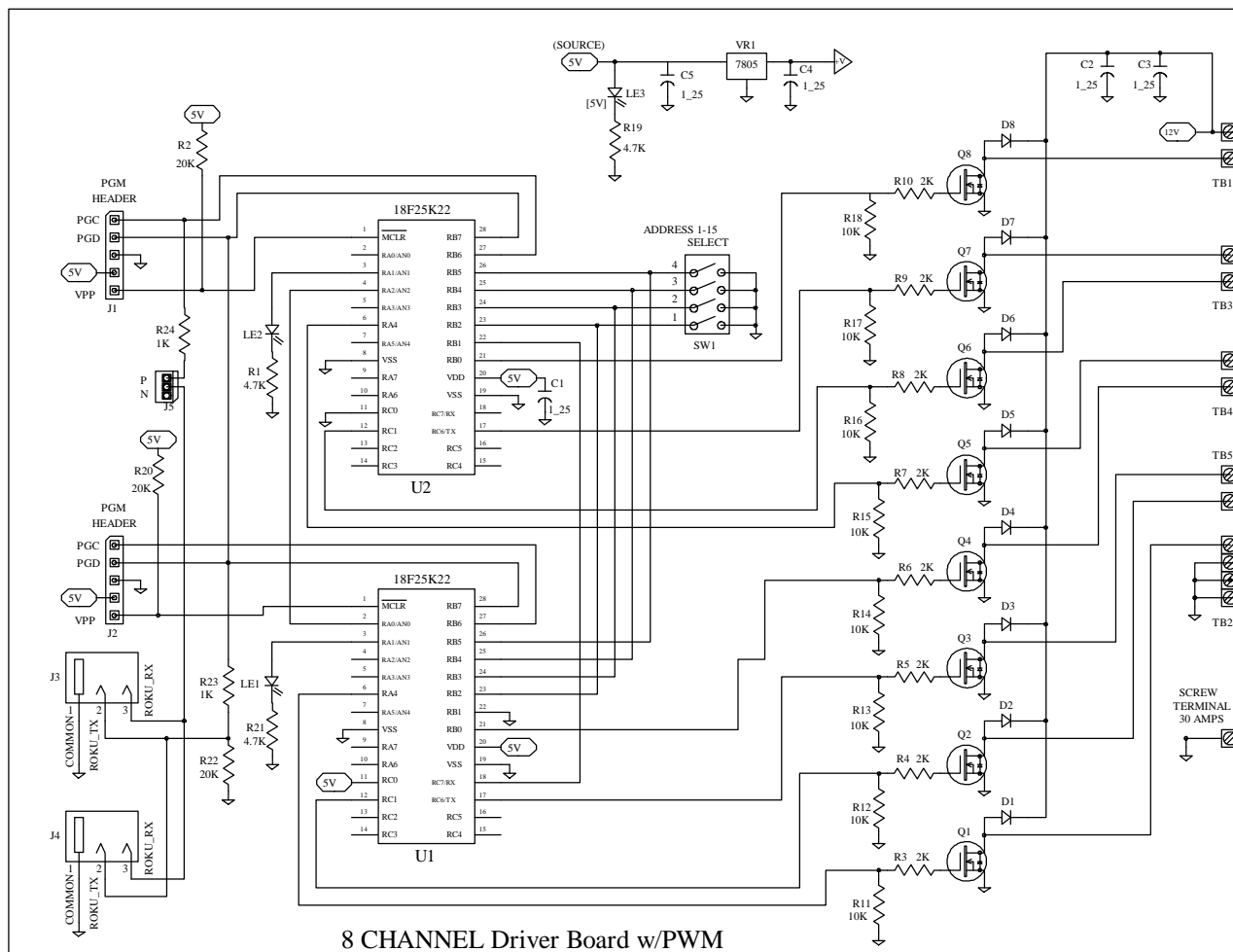
3

2

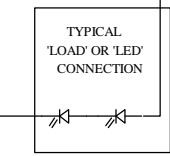
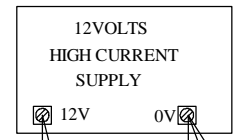
1

Q1-Q8=STD85N3LH5 (55A/30V)

D1-D4=625-S1G (1A/100V)



8 CHANNEL Driver Board w/PWM



ADDRESS	CHANNELS
0	INVALID (FLASH ALL CHANNELS)
1	1-8 1-8h (HEX)
2	9-16 9-16h
3	17-24 17-24h
4	25-32 25-32h
5	33-40 33-40h
6	41-48 41-48h
7	49-56 49-56h
8	57-64 57-64h
9	65-72 65-72h
10	73-80 73-80h
11	81-88 81-88h
12	89-96 89-96h
13	97-104 97-104h
14	105-112 105-112h
15	113-120 113-120h

Comp.	HMS ELECTRONICS	
no.	8_OUT_SER_R3S.DBF	
name	HIGH CURRENT DRIVER (8 OUTPUT) W/PWM DRIVE	
Org	01-05-2012	Rev 3.0
Engineer	Richard Harkey	HMS Electronics

4

3

2

1

D

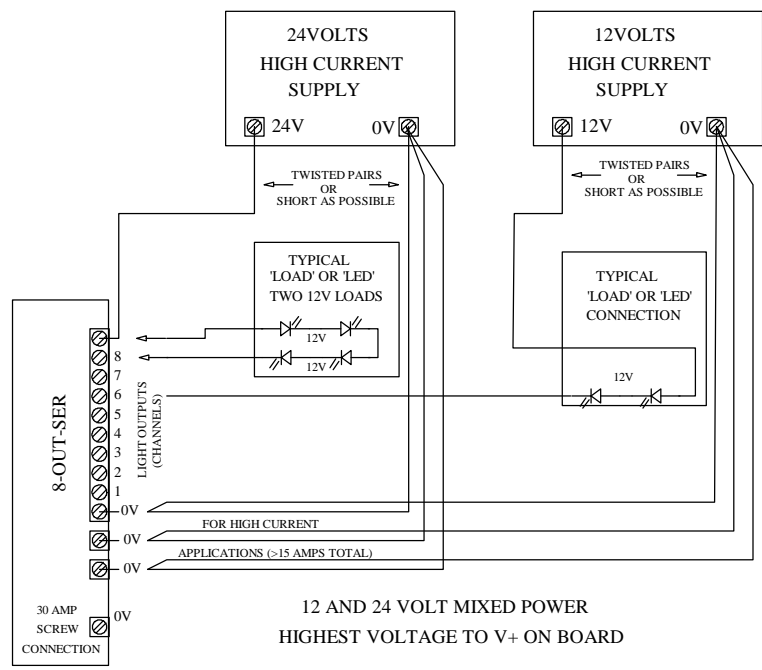
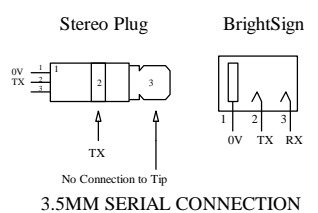
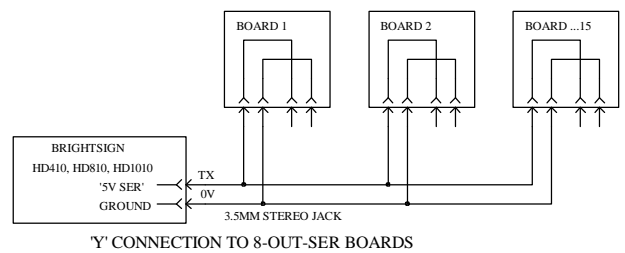
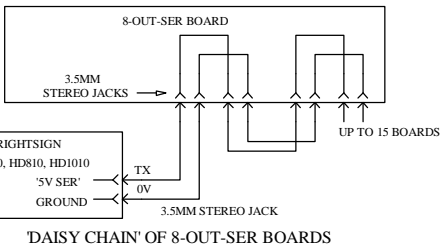
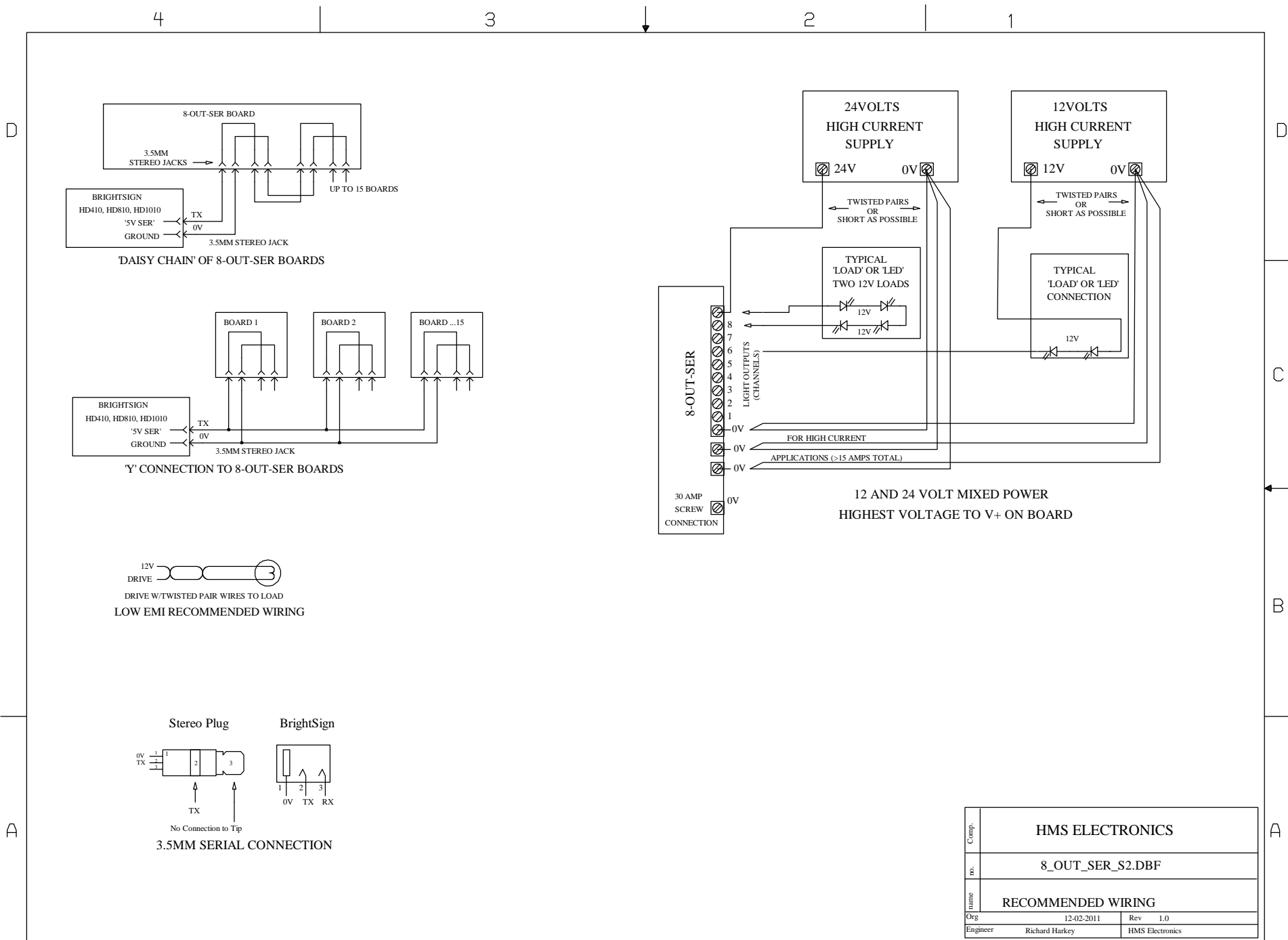
D

C

B

A

A



Comp.	HMS ELECTRONICS	
no.	8_OUT_SER_S2.DBF	
name	RECOMMENDED WIRING	
Org	12-02-2011	Rev 1.0
Engineer	Richard Harkey	HMS Electronics