

4

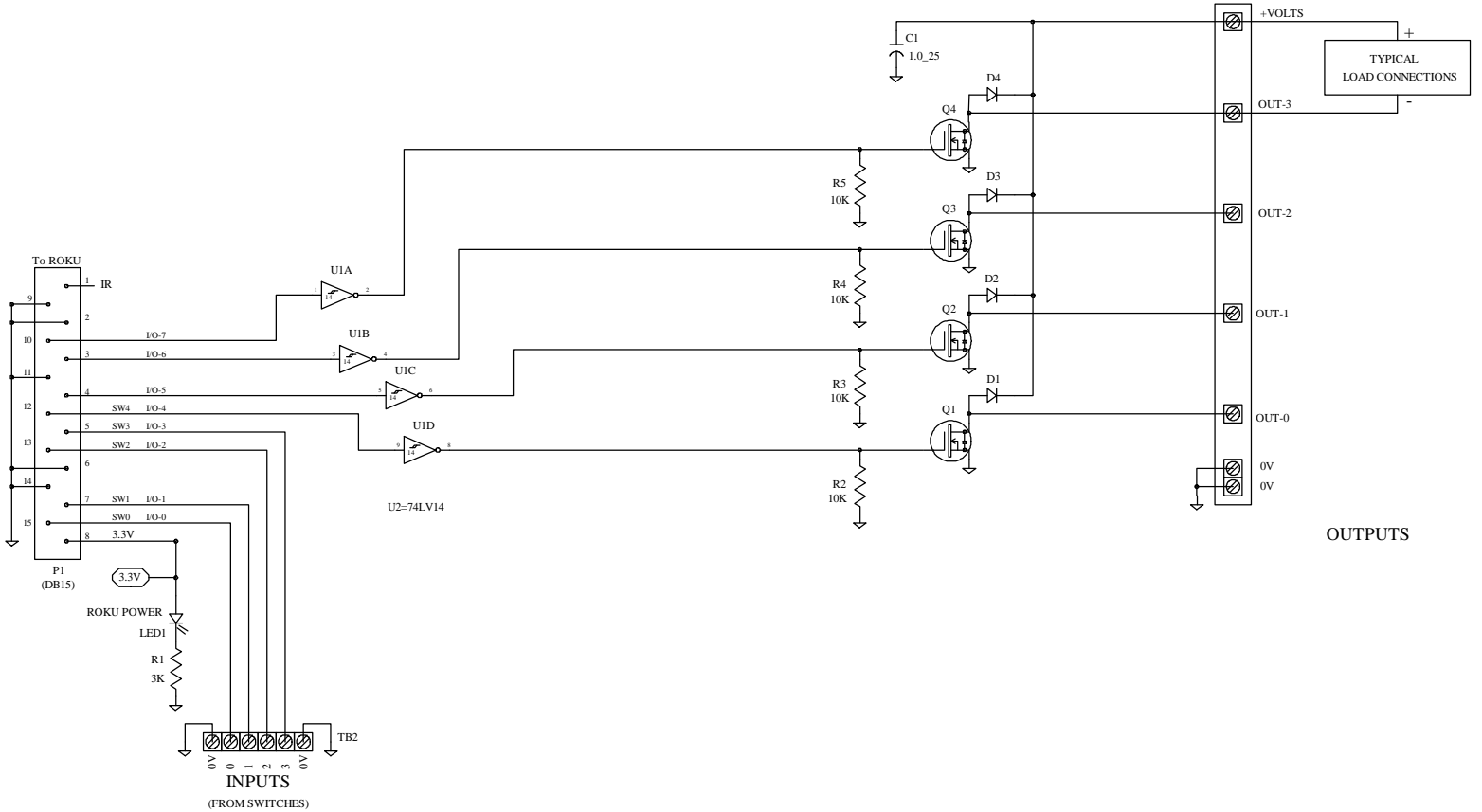
3

2

1

SET GPIO 4-7 LOW TO TURN ON OUTPUTS  
NEW DESIGN WITH 'U1' INVERTER

6 AMPS MAXIMUM EACH OUTPUT  
+VOLTS = 30VOLTS MAXIMUM



D

D

C

C

B

B

A

A

Comp.	HMS ELECTRONICS	
no.	HD_4X4_HC_S.DBF	
name	BS INTERFACE BOARD 4 INPUT, 4 HIGH CURRENT OUTPUTS	
Org	04-18-14	Rev 2.0
Engineer	Richard Harkey	HMS Electronics

4

3

2

1