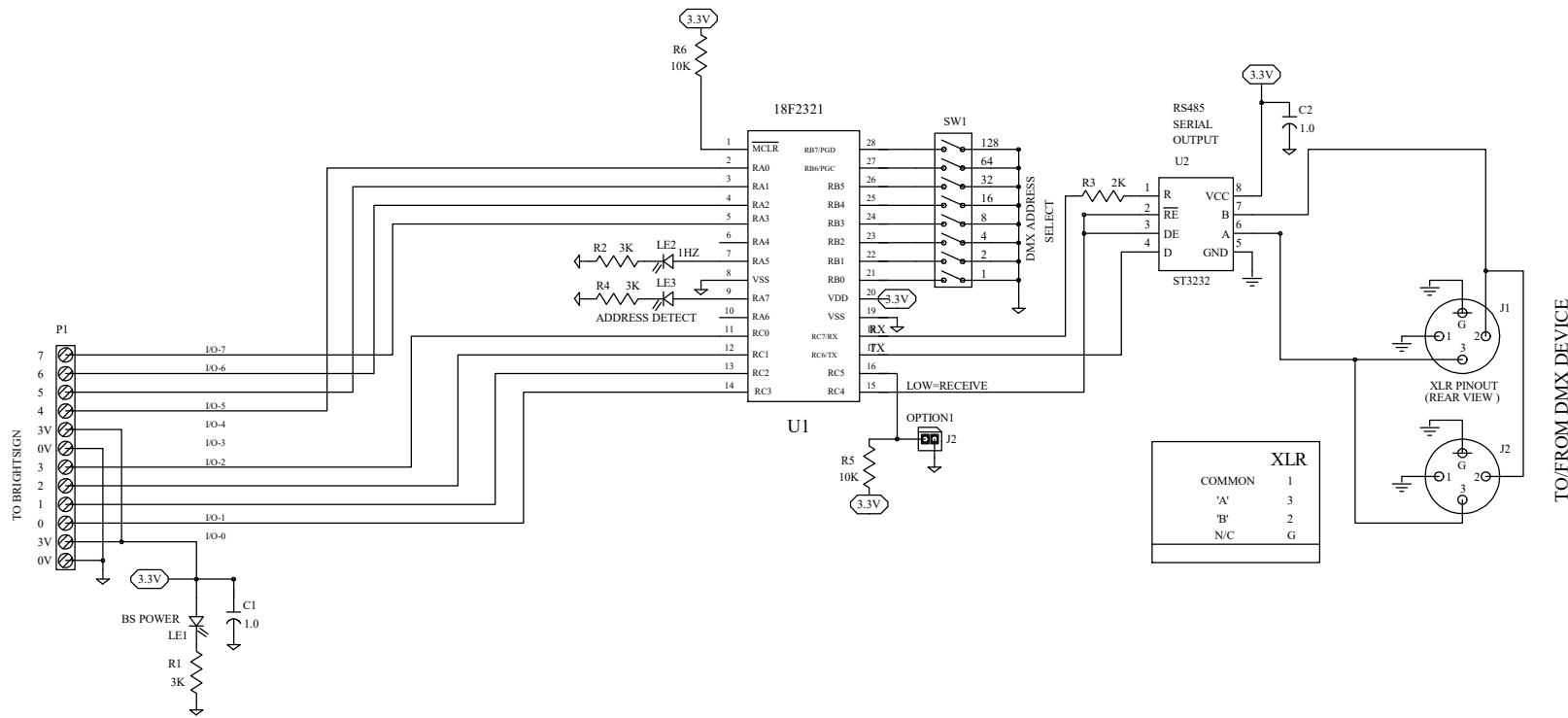


This is a DMX Receiver unless otherwise specified!



WAS S3GPIO_485X_S.DBF

Comp.	HMS ELECTRONICS	
no.	PH_485X_S.DBF	
name	BRIGHTSIGN DMX RECEIVER	
Org	01-27-15	Rev 2.0
Engineer	Richard Harkey	HMS Electronics